

## TEMPLATE KEY

### FINISHED SIZE

See Banner Sizes Below

### SAFE AREA

2.5" from finished edge

— = PIN SLOT

Using PMS colors in your art is recommended but an exact match cannot be guaranteed.

BANNER C: 15.9" x 14.37"

QTY: 2

BANNER E: 26.88" x 14.37"

QTY: 1

BANNER G 19.04" x 20.36"

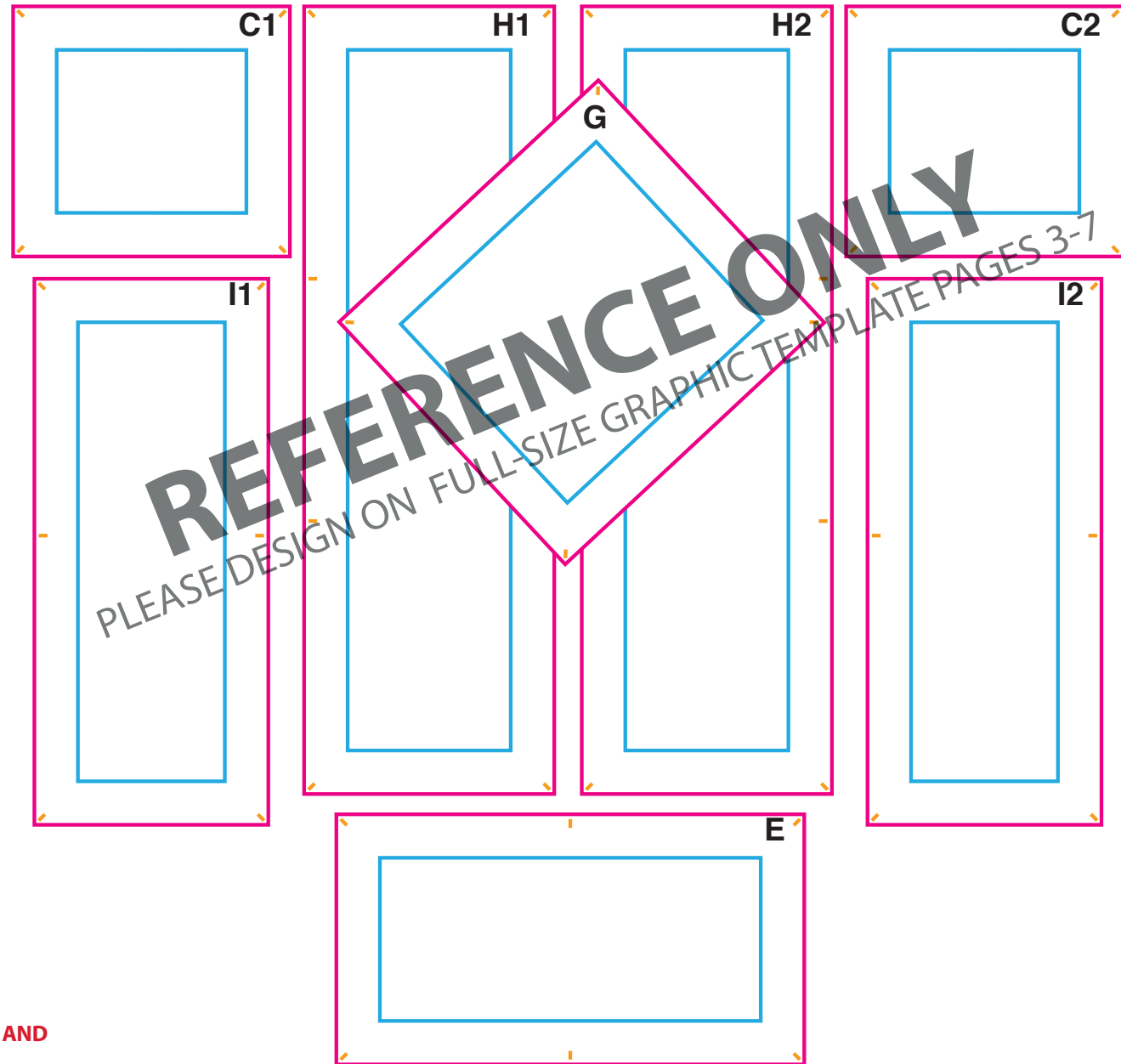
QTY: 1

BANNER H 14.37" x 45.25"

QTY: 2

BANNER I 13.44" x 31.37"

QTY: 2



### IMPORTANT NOTE:

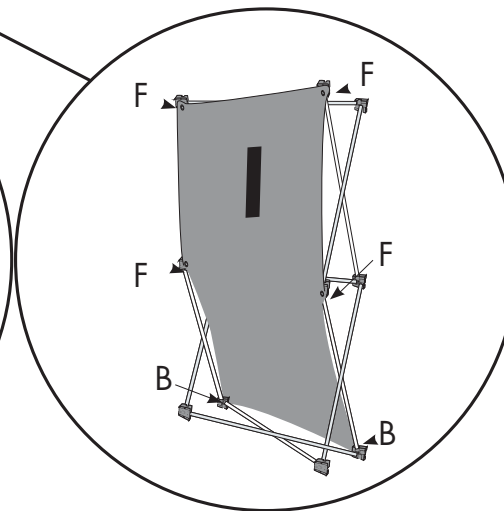
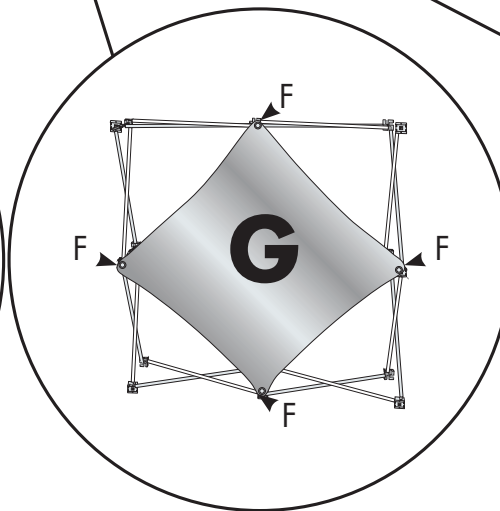
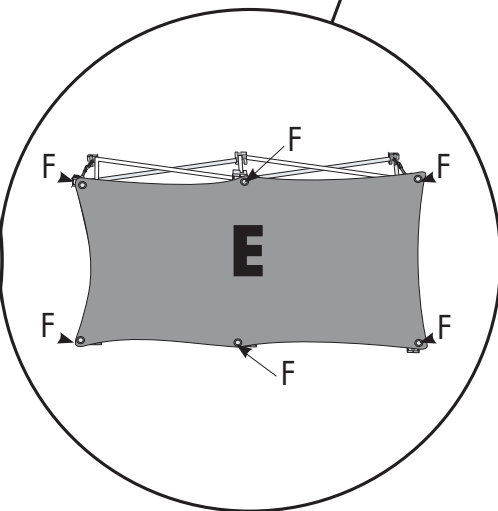
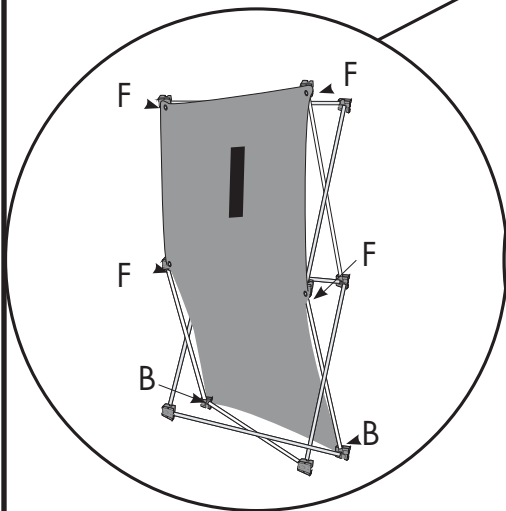
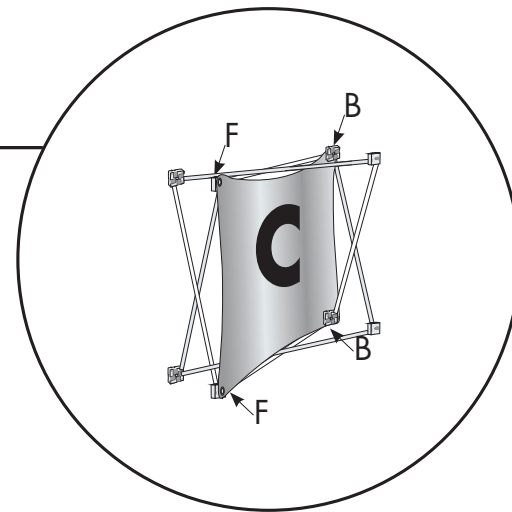
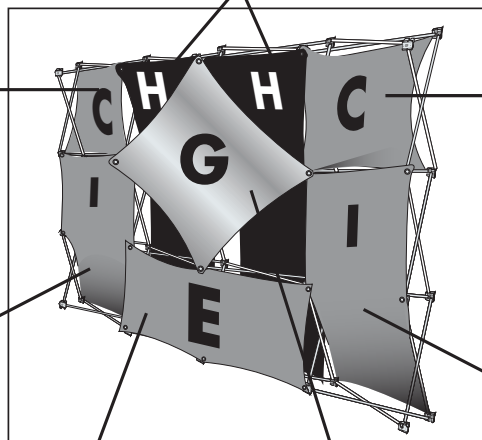
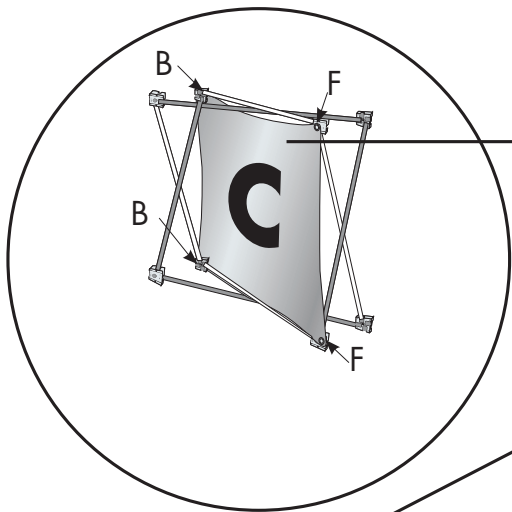
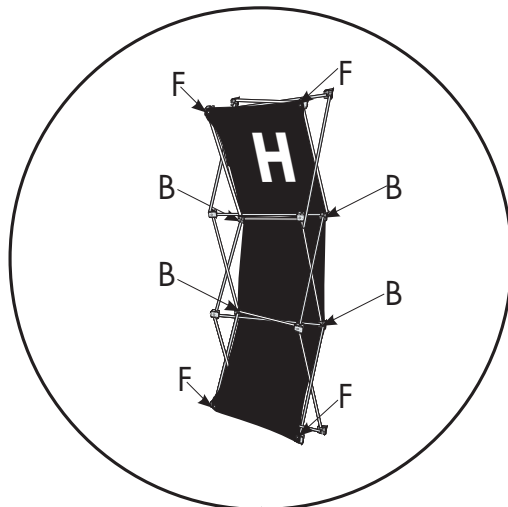
- THIS TEMPLATE SHOWS PRINT LAYOUT ONLY.
- EACH BANNER HAS ITS OWN UNIQUE ANGLE AND STRETCH WHEN ATTACHED TO THE FRAME.
- IT IS HIGHLY RECOMMENDED TO KEEP TEXT AND LOGOS WITHIN THE SAFE AREA TO AVOID DISTORTION.

SEE PAGE 2 FOR REPRESENTATION  
OF POSITION ON FRAME

EACH BANNER IS FABRICATED  
TO FIT A SPECIFIC ANGLE/POSI-  
TION ON THE FRAME.

B=BACK  
F=FRONT

Item# 337211, 337224



**PLEASE DELETE THIS LAYER  
BEFORE SAVING**

**All images must be embedded  
All fonts must be outlined**

**Submit 2 Art Files  
Labeled C1 & C2**

**FINISHED AREA - 15.9"W x 14.37"H**

VISIBLE WHEN DISPLAYED

**SAFE AREA - 10.9"W x 9.37"H**

KEEP IMPORTANT TEXT/LOGOS WITHIN THIS AREA

**PLEASE DELETE THIS LAYER  
BEFORE SAVING**

**All images must be embedded  
All fonts must be outlined**

**FINISHED AREA - 26.88"W x 14.37"H**

VISIBLE WHEN DISPLAYED

**SAFE AREA - 21.88"W x 9.37"H**

KEEP IMPORTANT TEXT/LOGOS WITHIN THIS AREA

**Banner G  
(-47°)**

**20.36"**

**PLEASE DELETE THIS LAYER  
BEFORE SAVING**

**All images must be embedded  
All fonts must be outlined**

**FINISHED AREA - 19.04"W x 20.36"H**

VISIBLE WHEN DISPLAYED

**SAFE AREA - 14.04"W x 15.36"H**

KEEP IMPORTANT TEXT/LOGOS WITHIN THIS AREA

**19.04"**

**PLEASE DELETE THIS LAYER  
BEFORE SAVING**

**All images must be embedded  
All fonts must be outlined**

**Submit 2 Art Files  
Labeled H1 & H2**

**FINISHED AREA - 14.37"W x 45.25"H**

VISIBLE WHEN DISPLAYED

**SAFE AREA - 9.37"W x 40.25"H**

KEEP IMPORTANT TEXT/LOGOS WITHIN THIS AREA

**PLEASE DELETE THIS LAYER  
BEFORE SAVING**

**All images must be embedded  
All fonts must be outlined**

**Submit 2 Art Files  
Labeled I1 & I2**

**FINISHED AREA - 13.44"W x 31.37"H**

VISIBLE WHEN DISPLAYED

**SAFE AREA - 8.44"W x 26.37"H**

KEEP IMPORTANT TEXT/LOGOS WITHIN THIS AREA